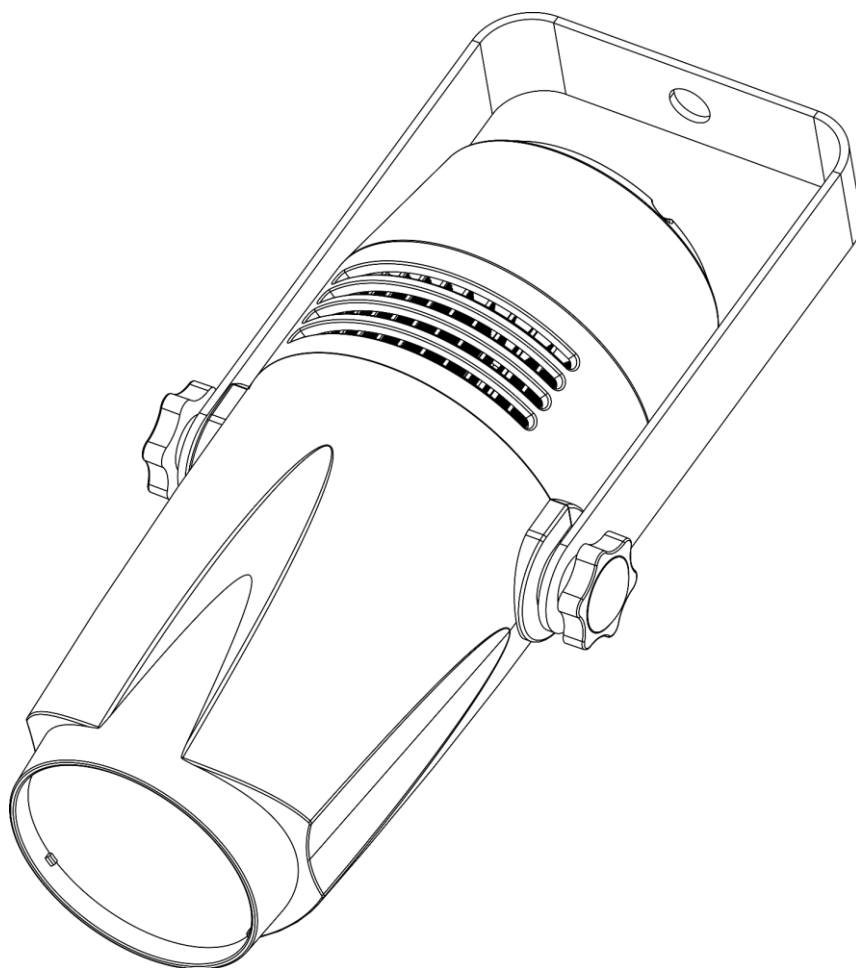




MANUAL



ENGLISH

LED Pinspot Q4

V1

Ordercode: 42407

Table of contents

| | |
|--|----|
| Warning | 2 |
| Safety Instructions | 2 |
| Operating Determinations | 4 |
| Rigging | 4 |
| Connection with the mains | 5 |
| Return Procedure | 5 |
| Claims | 5 |
| Description of the device | 6 |
| Overview | 6 |
| Back | 7 |
| Installation | 7 |
| Set Up and Operation | 7 |
| Control Modes | 8 |
| One LED Pinspot (Auto, Built-in programs and Manual) | 8 |
| One LED Pinspot (Sound-controlled) | 8 |
| Multiple LED Pinspots (Master/Slave control) | 8 |
| Multiple LED Pinspots (DMX Control) | 9 |
| Fixture Linking | 10 |
| Data Cabling | 10 |
| Control Panel | 11 |
| DMX Control Mode | 11 |
| DMX Addressing | 11 |
| Menu Overview | 12 |
| Main Menu Options | 13 |
| 1. Auto | 13 |
| 2. Built-in Programs | 13 |
| 2.1. Program 01 | 13 |
| 2.2. Programs 02-10 | 14 |
| 3. Static Colors | 14 |
| 4. Sound-controlled Mode | 15 |
| 5. DMX-512 Mode | 15 |
| 6. Master/Slave Mode | 15 |
| 7. Settings | 15 |
| 7.1. Dimming Curves | 16 |
| 7.2. Reset | 16 |
| 7.3. DMX Fail | 16 |
| 7.4. DMX Synchronization | 16 |
| 8. Info | 17 |
| 8.1. Software Version | 17 |
| 8.2. Temperature | 17 |
| DMX Channels | 17 |
| 4 channels | 17 |
| 6 channels | 17 |
| 8 channels | 18 |
| Maintenance | 19 |
| Troubleshooting | 19 |
| No Light | 19 |
| No Response to DMX | 20 |
| Product Specifications | 21 |
| Dimensions | 22 |

Warning



**For your own safety, please read this user manual carefully
before your initial start-up!**

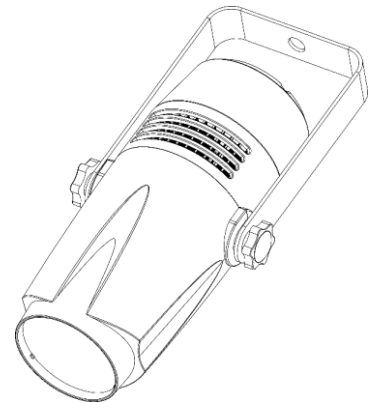


Unpacking Instructions

Immediately upon receiving this product, carefully unpack the carton and check the contents to ensure that all parts are present, and have been received in good condition. Notify the dealer immediately and retain packing material for inspection if any parts appear to be damaged from shipping or the carton itself shows signs of mishandling. Save the carton and all packing materials. In the event that the fixture must be returned to the factory, it is important that the fixture be returned in the original factory box and packing.

Your shipment includes:

- Showtec LED Pinspot Q4 with a Schuko power cable (1,5 m)
- User manual



CAUTION!

**Keep this device away from rain and moisture!
Unplug mains lead before opening the housing!**



Safety Instructions

Every person involved with the installation, operation and maintenance of this device has to:

- be qualified
- follow the instructions of this manual



**CAUTION! Be careful with your operations.
With a dangerous voltage you can suffer
a dangerous electric shock when touching the wires!**



Before your initial start-up, please make sure that there is no damage caused by transportation. Should there be any, consult your dealer and do not use the device.

To maintain perfect condition and to ensure a safe operation, it is absolutely necessary for the user to follow the safety instructions and warning notes written in this manual.

Please consider that damages caused by manual modifications to the device are not subject to warranty.

This device contains no user-serviceable parts. Refer servicing to qualified technicians only.

IMPORTANT:

The manufacturer will not accept liability for any resulting damages caused by the non-observance of this manual or any unauthorized modification to the device.

- Never let the power cord come into contact with other cables! Handle the power cord and all connections with the mains with particular caution!
- Never remove warning or informative labels from the unit.
- Never use anything to cover the ground contact.
- Never lift the fixture holding it by the projector-head, as the mechanics may be damaged. Always hold the fixture by the transport handles.
- Never place any material over the lens.
- Never look directly into the light source.
- Never leave any cables lying around.
- Do not insert objects into air vents.
- Do not switch the device on and off in short intervals, as this would reduce the device's lifespan.
- Do not touch the device's housing bare-handed during its operation. Allow the fixture to cool for at least 5 minutes before handling.
- Do not shake the device. Avoid brute force when installing or operating the device.
- Only operate the fixture after having checked that the housing is firmly closed and all screws are tightly fastened.
- Only operate the device after having familiarized with its functions.
- Avoid flames and do not put close to flammable liquids or gases.
- Always keep case closed while operating.
- Always allow free air space of at least 50 cm around the unit for ventilation.
- Always disconnect power from the mains, when device is not used or before cleaning! Only handle the power cord by the plug. Never pull out the plug by tugging the power cord.
- Make sure that the device is not exposed to extreme heat, moisture or dust.
- Make sure that the available voltage is not higher than stated on the rear panel.
- Make sure that the power cord is never crimped or damaged. Check the device and the power cord from time to time.
- If the lens is obviously damaged, it has to be replaced to prevent its functions from being impaired, due to cracks or deep scratches.
- If device was dropped or struck, disconnect mains power supply immediately. Have a qualified engineer inspect for safety before operating.
- If the device has been exposed to drastic temperature fluctuation (e.g. after transportation), do not switch it on immediately. The arising condensation water might damage your device. Leave the device switched off until it has reached room temperature.
- If your Showtec device fails to work properly, discontinue use immediately. Pack the unit securely (preferably in the original packing material), and return it to your Showtec dealer for service.
- For adult use only. Device must be installed out of reach of children. Never leave the unit running unattended.
- Never attempt to bypass the thermostatic switch or fuses.
- For replacement, use fuses of same type and rating only.
- The user is responsible for correct positioning and operating of the LED Pinspot Q4. The manufacturer will not accept liability for damages caused by the misuse or incorrect installation of this device.
- This device falls under protection class I. Therefore it is essential to connect the yellow/green conductor to earth.
- Repairs, servicing and electrical connection must be carried out by a qualified technician.
- WARRANTY: Till one year after date of purchase.



CAUTION! Eyedamages!!!
Avoid looking directly into the lightsource!!!
(meant especially for epileptics)!!!



Operating Determinations

- This device is not designed for permanent operation. Regular operation breaks will ensure that the device will serve you for a long time without defects.
- The minimum distance between light output and the illuminated surface must be bigger than 0,8 meter.
- In order to eliminate wear and improve the device's lifespan, during periods of non-use, completely disconnect from power source via breaker or by unplugging.
- The maximum ambient temperature $t_a = 40\text{ °C}$ must never be exceeded.
- The relative humidity must not exceed 50 % with an ambient temperature of 40 °C .
- If this device is operated in any other way than the one described in this manual, the product may suffer damages and the warranty becomes void.
- Any other operation may lead to dangers like short-circuit, burns, electric shock, crash etc.

You endanger your own safety and the safety of others!

Rigging

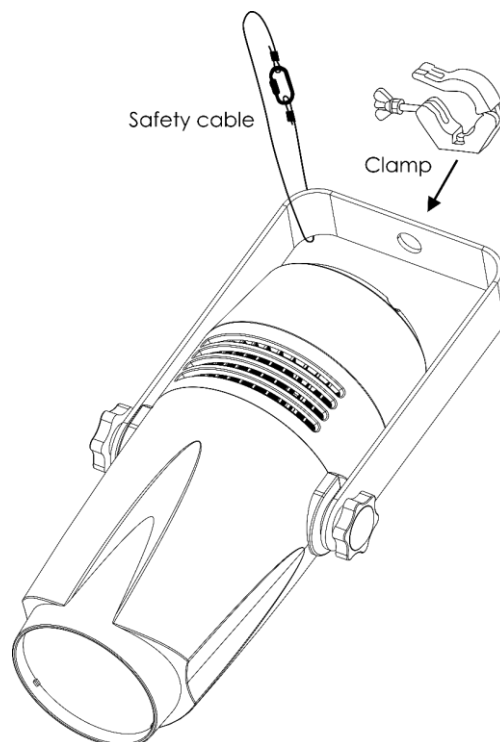
Please follow the European and national guidelines concerning rigging, trussing and all other safety issues.

Do not attempt the installation yourself !

Always let the installation be carried out by an authorized dealer !

Procedure:

- If the LED Pinspot is lowered from the ceiling or high joists, professional trussing systems can be used.
- Use a clamp to mount the LED Pinspot, with the mounting bracket, to the trussing system.
- The LED Pinspot must never be fixed swinging freely in the room.
- The installation must always be secured with a safety attachment, e.g. an appropriate safety net or safety cable.
- When rigging, derigging or servicing the LED Pinspot, always make sure, that the area below the installation place is blocked and staying in the area is forbidden.




The LED Pinspot can be mounted to any kind of truss with a clamp.

Improper installation can cause serious injuries and/or damage of property!

Connection with the mains

Connect the device to the mains with the power plug.

Always check if the right color cable is connected to the right place.

| International | EU Cable | UK Cable | US Cable | Pin |
|---|--------------|----------|---------------|-------------------|
| L | BROWN | RED | YELLOW/COPPER | PHASE |
| N | BLUE | BLACK | SILVER | NEUTRAL |
|  | YELLOW/GREEN | GREEN | GREEN | PROTECTIVE GROUND |

Make sure that the device is always connected properly to the earth!

Improper installation can cause serious damage to people and property!



Return Procedure

Returned merchandise must be sent prepaid and in the original packing, call tags will not be issued. Package must be clearly labeled with a Return Authorization Number (RMA number). Products returned without an RMA number will be refused. Highlite will not accept the returned goods or any responsibility. Call Highlite 0031-455667723 or mail aftersales@highlite.com and request an RMA prior to shipping the fixture. Be prepared to provide the model number, serial number and a brief description of the cause of the return. Be sure to properly pack fixture as any shipping damage resulting from inadequate packaging is the customer's responsibility. Highlite reserves the right to use its own discretion to repair or replace product(s). As a suggestion, proper UPS packing or double-boxing is always a safe method to use.

Note: If you are given an RMA number, please include the following information on a piece of paper inside the box:

- 01) Your name.
- 02) Your address.
- 03) Your phone number.
- 04) A brief description of the symptoms.

Claims

The client has the obligation to check the delivered goods immediately upon delivery for any shortcomings and/or visible defects, or perform this check after our announcement that the goods are at their disposal. Damage incurred in shipping is the responsibility of the shipper; therefore the damage must be reported to the carrier upon receipt of merchandise.

It is the customer's responsibility to notify and submit claims with the shipper in the event that the fixture is damaged due to shipping. Transportation damage has to be reported to us within one day after receipt of the delivery.

Any return shipment has to be made post-paid at all times. Return shipments must be accompanied with a letter defining the reason for return shipment. Non-prepaid return shipments will be refused, unless agreed otherwise in writing.

Complaints against us must be made known in writing or by fax within 10 working days after receipt of the invoice. After this period, complaints will not be handled anymore.

Complaints will only be considered if the client has so far complied with all parts of the agreement, regardless of the agreement of which the obligation is resulting.

Description of the device

Features

The Showtec LED Pinspot Q4 is a powerful but compact LED pinspot. It is ideal for illuminating mirror balls or small surfaces.

- Input voltage: 100-240 V AC, 50/60 Hz
- Power consumption: 22 W
- Light source: 1 x 15W 4-in-1 RGBW Prolight Opto LED
- Drive current: 1000 mA
- Lumens: 44
- Lux @ 2 m: 7010
- Max. distance: 10 m
- Control protocol: DMX-512
- DMX channels: 4, 6, 8 channels
- Control modes: Auto, Built-in programs, Static Colors, Sound-controlled, Master/Slave, DMX
- Dimmer: 0-100 %
- Strobe: 0-20 Hz
- Beam angle: 3,2° (+/-1°)
- Housing: ABS plastic
- Color: Black
- IP rating: IP20
- Connections: Schuko power cable, 3-pin XLR DMX IN/OUT
- Cooling: Convection
- Operating temperature: From -20 °C to +40 °C
- Dimensions: 320 x 166 x 222 mm (LxWxH)
- Weight: 1,2 kg

Overview

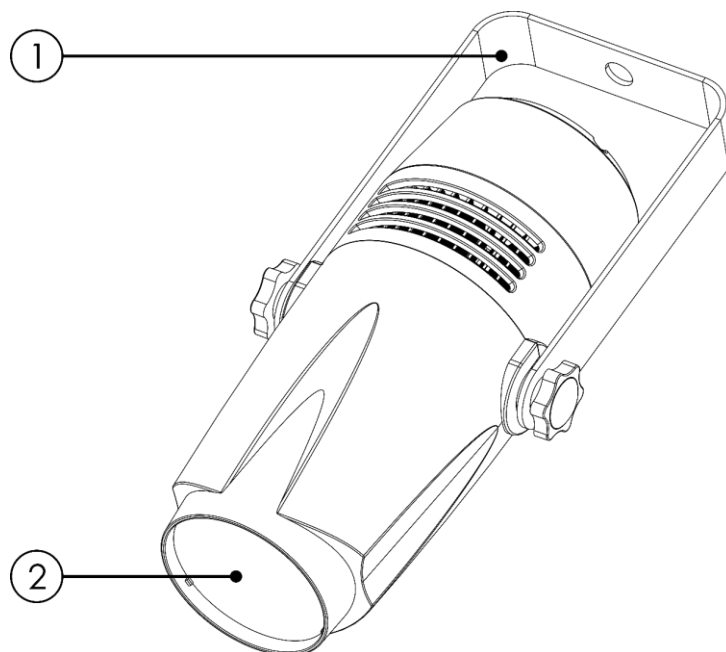


Fig. 01

- 01) Mounting bracket with inclination screws
02) 1 x 15W 4-in-1 RGBW Prolight Opto LED

Back

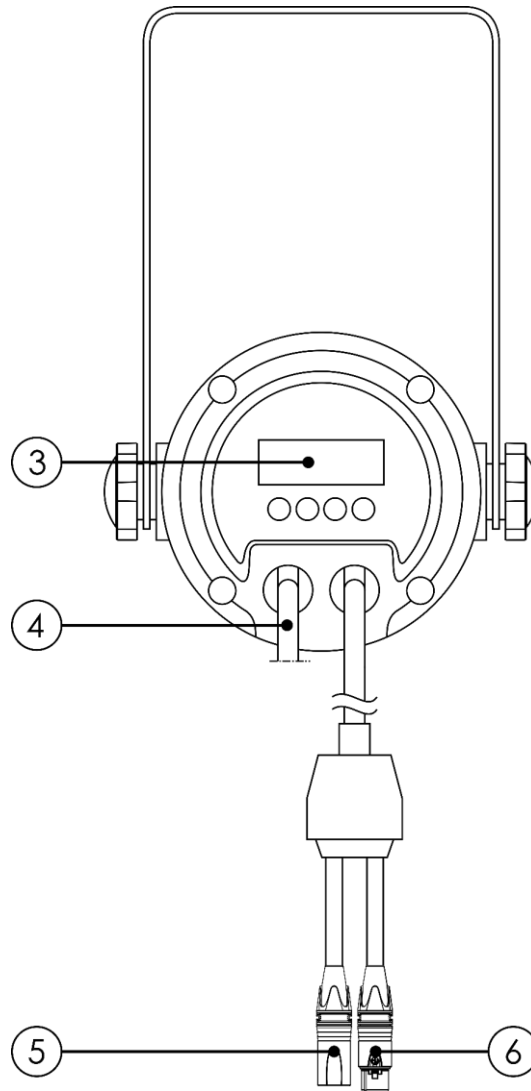


Fig. 02

- 03) LED display + control buttons
- 04) Schuko power cable (1,5 m)
- 05) 3-pin DMX signal connector IN
- 06) 3-pin DMX signal connector OUT

Installation

Remove all packing materials from the LED Pinspot Q4. Check if all foam and plastic padding is removed. Connect all cables.

Do not supply power before the whole system is set up and connected properly.

Always disconnect from electric mains power supply before cleaning or servicing.

Damages caused by non-observance are not subject to warranty.

Set Up and Operation

Follow the directions below, as they pertain to your preferred operation mode.

Before plugging the unit in, always make sure that the power supply matches the product specification voltage. Do not attempt to operate a 120V specification product on 230V power, or vice versa.

Connect the device to the main power supply.

Control Modes

There are 6 modes:

- Auto
- Built-in programs
- Static colors
- Sound-controlled
- Master/Slave
- DMX-512 (4CH, 6CH, 8CH)

One LED Pinspot (Auto, Built-in programs and Manual)

- 01) Fasten the effect light to a firm trussing. Leave at least 0,5 meter on all sides for air circulation.
- 02) Always use a safety cable (ordercode 70140 / 70141).
- 03) Plug the end of the electric mains power cord into a proper electric power supply socket.
- 04) When the LED Pinspot is not connected with a DMX cable, it functions as a stand-alone device. Please see pages 13–14 for more information about Auto, Built-in programs and Static colors.

One LED Pinspot (Sound-controlled)

- 01) Fasten the effect light to a firm trussing. Leave at least 0,5 meter on all sides for air circulation.
- 02) Always use a safety cable (ordercode 70140 / 70141).
- 03) Plug the end of the electric mains power cord into a proper electric power supply socket.
- 04) Turn on the music. If the device is set to sound-control, then the LED Pinspot will react to the beat of the music. Please see page 15 for more information about the sound-control options.

Multiple LED Pinspots (Master/Slave control)

- 01) Fasten the effect light onto firm trussing. Leave at least 0,5 meter on all sides for air circulation.
- 02) Use a 3-pin XLR cable to connect the LED Pinspots.

The pins:



- 01) Earth
- 02) Signal -
- 03) Signal +

- 03) Link the units as shown in Fig. 03. Connect the first unit's DMX "out" socket with the second unit's "in" socket, using a DMX signal cable. Repeat this process to link the second, third, and fourth units. You can use the same functions on the master device as described on pages 13–15 (Auto, Built-in programs, Static colors or Sound-controlled mode). This means that you can set your desired operation mode on the master device and all slave devices will react the same as the master device.

Multiple LED Pinspots (Master/Slave control)

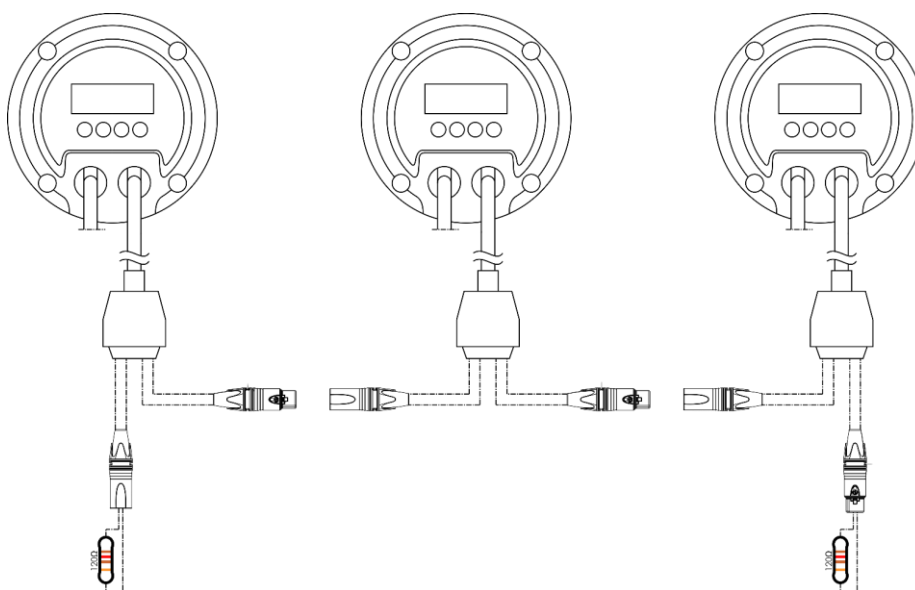
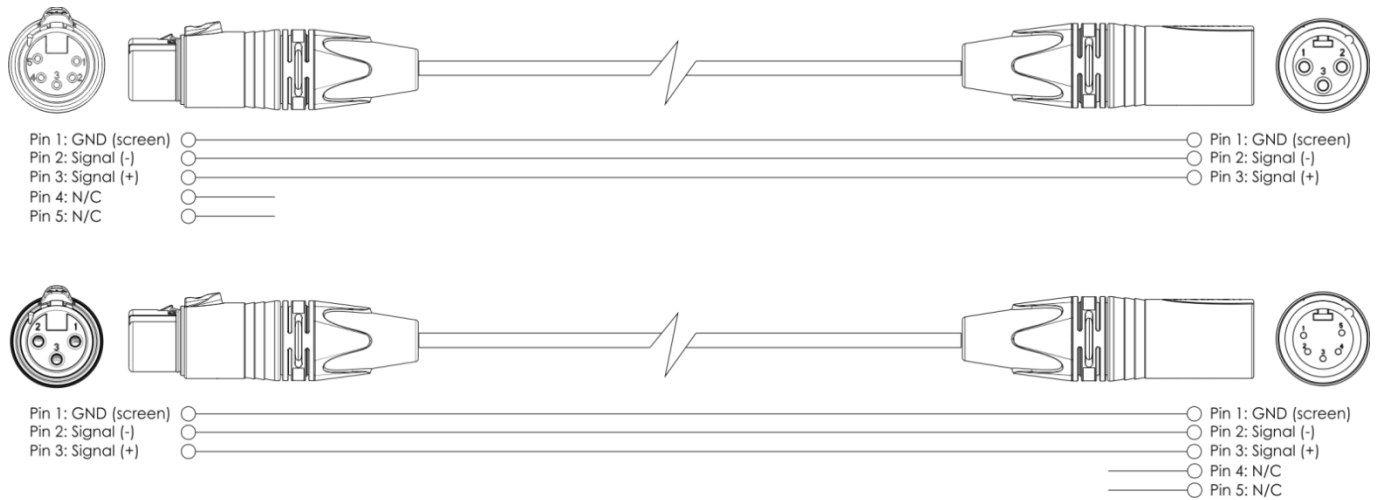


Fig. 03

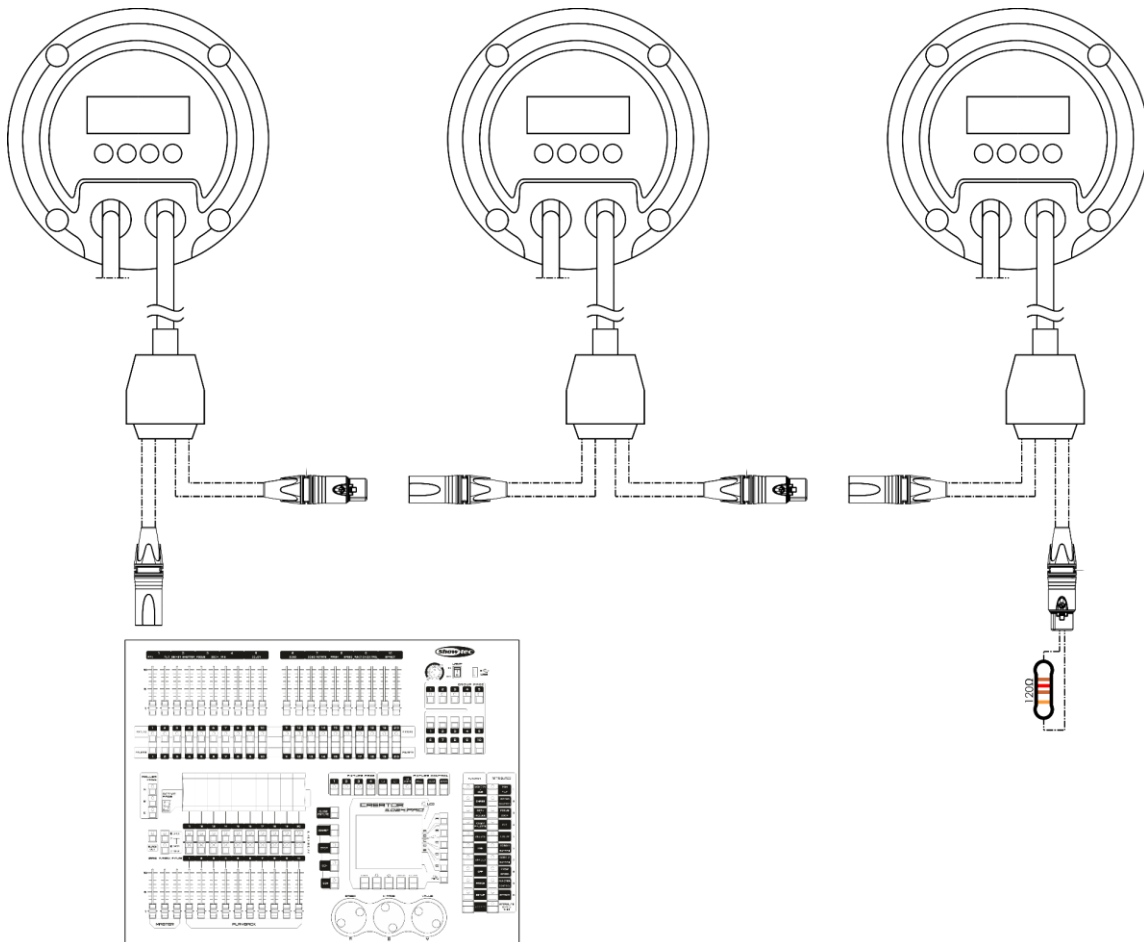
Multiple LED Pinspots (DMX Control)

- 01) Fasten the effect light to a firm trussing. Leave at least 0,5 meter on all sides for air circulation.
- 02) Always use a safety cable (ordercode 70140 / 70141).
- 03) Use a 3-pin XLR cable to connect the LED Pinspots and other devices.



- 04) Link the units as shown in Fig. 04. Connect the first unit's DMX "out" socket with the second unit's "in" socket, using a DMX signal cable. Repeat this process to link the second, third, and fourth units.
- 05) Supply electric power: Plug the mains power cords into proper electric power supply sockets, starting with the first unit. Do not supply power before the whole system is set up and connected properly.

Multiple LED Pinspots DMX Setup




Note : Link all cables before connecting electric power

Fig. 04

Fixture Linking

You will need a serial data link to run light shows of one or more fixtures using a DMX-512 controller or to run synchronized shows on two or more fixtures set to a master / slave operating mode. The combined number of channels required by all the fixtures on a serial data link determines the number of fixtures the data link can support.

Important: Fixtures on a serial data link must be daisy chained in one single line. To comply with the EIA-485 standard no more than 30 devices should be connected on one data link. Connecting more than 30 fixtures on one serial data link without the use of a DMX optically isolated splitter may result in deterioration of the digital DMX signal.

 Maximum recommended DMX data link distance: 100 meters
 Maximum recommended number of fixtures on a DMX data link: 30 fixtures
 Maximum recommended number of fixtures on a power link @110V: 92 fixtures
 Maximum recommended number of fixtures on a power link @240V: 184 fixtures

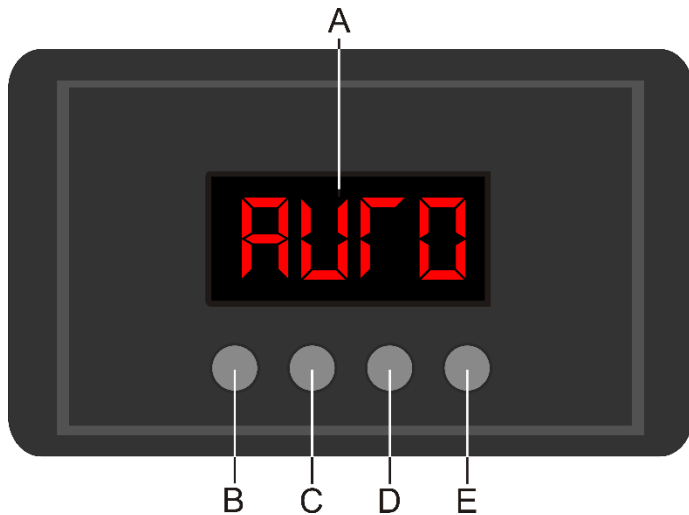
Data Cabling

To link fixtures together you must obtain data cables. You can purchase DAP Audio certified DMX cables directly from a dealer/distributor or construct your own cable. If you choose to create your own cable please use data-grade cables that can carry a high quality signal and are less prone to electromagnetic interference.

DAP Audio DMX Data Cables

- DAP Audio Basic microphone cable for allround use. bal. XLR/M 3-pin > XLR/F 3-pin. **Ordercode** FL01150 (1,5 m), FL013 (3 m), FL016 (6 m), FL0110 (10 m), FL0115 (15 m), FL0120 (20 m).
- DAP Audio X-type data cable XLR/M 3-pin > XLR/F 3-pin. **Ordercode** FLX0175 (0,75 m), FLX01150 (1,5 m), FLX013 (3 m), FLX016 (6 m), FLX0110 (10 m).
- DAP Audio cable for the demanding user with exceptional audio-qualities and connector made by Neutrik®. **Ordercode** FL71150 (1,5 m), FL713 (3 m), FL716 (6 m), FL7110 (10 m).
- DAP Audio cable for the demanding user with exceptional audio-qualities and connector made by Neutrik®. **Ordercode** FL7275 (0,75 m), FL72150 (1,5 m), FL723 (3 m), FL726 (6 m), FL7210 (10 m).
- DAP Audio 110 Ohm cable with digital signal transmission. **Ordercode** FL0975 (0,75 m), FL09150 (1,5 m), FL093 (3 m), FL096 (6 m), FL0910 (10 m), FL0915 (15 m), FL0920 (20 m).
- DAP Audio data cable FL08 DMX/AES-EBU, XLR/M 5-pin > XLR/F 5-pin. **Ordercode** FL08150 (1,5 m), FL083 (3 m), FL086 (6 m), FL0810 (10 m), FL0820 (20 m).
- DAP Audio DMX adapter: 5-pin/3-pin. **Ordercode** FLA29.
- DAP Audio DMX adapter: 3-pin/5-pin. **Ordercode** FLA30.
- DAP Audio DMX Terminator 3-pin. **Ordercode** FLA42.
- DAP Audio DMX Terminator 5-pin. **Ordercode** FLA43.

Control Panel



- A) LED display
- B) MODE button
- C) SETUP button
- D) UP button
- E) DOWN button

Fig.05

DMX Control Mode

The fixtures are individually addressed on a data-link and connected to the controller. The fixtures respond to the DMX signal from the controller. (When you select the DMX address and save it, the controller will display the saved DMX address, next time.)

DMX Addressing

The control panel on the front side of the base allows you to assign DMX fixture addresses, which is the first channel with which the LED Pinspot will respond to the controller.

Please note, when you use the controller, the unit has **8** channels.

When using multiple LED Pinspots, make sure you set the DMX addresses right.

Therefore, the DMX address of the first LED Pinspot should be **1(001)**; the DMX address of the second LED Pinspot should be **1+8=9 (009)**; the DMX address of the third LED Pinspot should be **9+8=17 (017)**, etc.

Please, be sure that you do not have any overlapping channels in order to control each LED Pinspot correctly. If two or more LED Pinspots are addressed similarly, they will work similarly.

Controlling:

After having addressed all LED Pinspot fixtures, you may now start operating these via your lighting controller.

Note: After switching on, the LED Pinspot will automatically detect whether DMX 512 data is received or not.

If not, the problem may be:

- The XLR cable from the controller is not connected with the input of the LED Pinspot.
- The controller is switched off or defective, the cable or connector is defective, or the signal wires are swapped in the input connector.

Note: It is necessary to insert an XLR termination plug (with 120 Ohm) in the last fixture in order to ensure proper transmission on the DMX data link.

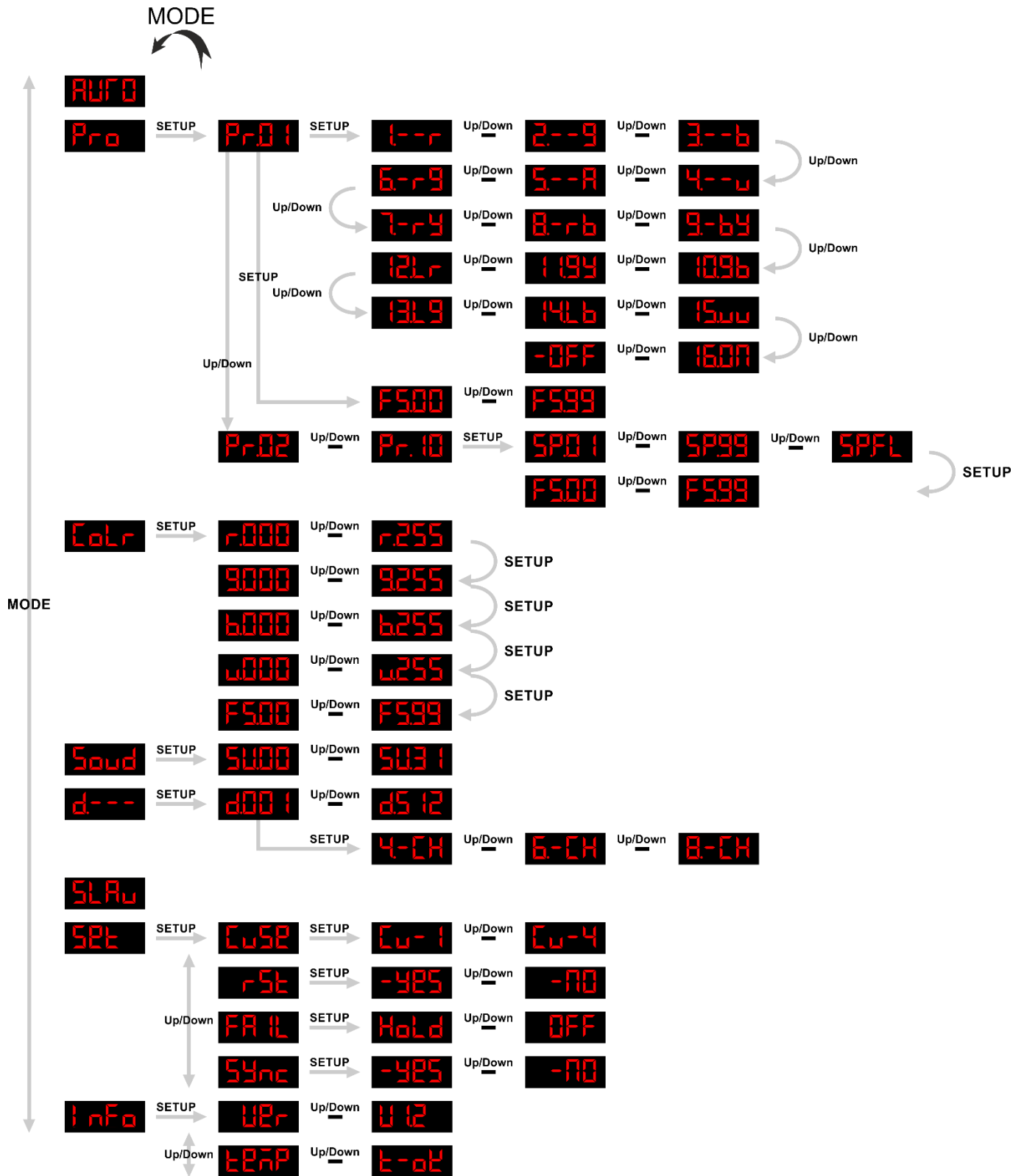
Display Off after 20 seconds

When no button is pressed for 20 seconds, the display will turn off.

To light up the display, you have to press the MODE, SETUP, UP or DOWN button.

Once you have pressed the button, the display will light up.

Menu Overview



Main Menu Options

| | |
|--------------|--------------------------|
| AUTO | 1. Auto |
| Pro | 2. Built-in Programs |
| Colr | 3. Static Colors |
| Sound | 4. Sound-controlled mode |
| d--- | 5. DMX-512 mode |
| SLAv | 6. Master/Slave mode |
| SEt | 7. Settings |
| Info | 8. Info |

The LED Pinspot will show its software version at start-up ! **012**

1. Auto

With this menu you can set Auto mode.

- 01) Press the **MODE** button until the display shows **AUTO**.
- 02) The device will now run all the available built-in programs in a sequence. It is not possible to adjust any settings in Auto mode.

2. Built-in Programs

With this menu you can set the built-in programs.

- 01) Press the **MODE** button until the display shows **Pro**.
- 02) Press the **SETUP** button to open the menu.
- 03) Press the **UP/DOWN** buttons to navigate through the 10 built-in programs.

2.1. Program 01

- 01) When the display shows **Pr01**, press the **SETUP** button to enter the menu.
- 02) Press the **UP/DOWN** buttons to choose one of the 16 preset colors:

| | |
|-------------|-------------|
| 1--r | Red |
| 2--g | Green |
| 3--b | Blue |
| 4--w | White |
| 5--A | Amber |
| 6--g | Red+Green |
| 7--y | Red+Yellow |
| 8--b | Red+Blue |
| 9--y | Blue+Yellow |

| | |
|-------------|--------------|
| 1096 | Green+Blue |
| 1194 | Green+Yellow |
| 12Lr | Light+Red |
| 13L9 | Light+Green |
| 14L6 | Light+Blue |
| 15uu | Warm White |
| 160n | Full On |
| -OFF | Blackout |

- 03) Press the **SETUP** button to enter the strobe frequency settings.
- 04) Press the **UP/DOWN** buttons to set the strobe frequency. The adjustment range is between **F500** ^{Up/Down} **F599**, from OFF to high frequency.

2.2. Programs 02-10

- 01) When the display shows **P-02** ^{Up/Down} **P-10**, press the **SETUP** button to enter the menu.
- 02) Press the **UP/DOWN** buttons to set the program speed. The adjustment range is between **SP01** ^{Up/Down} **SP99** ^{Up/Down} **SPFL**, from slow to fast and full speed.
- 03) Press the **SETUP** button to enter the strobe frequency settings.
- 04) Press the **UP/DOWN** buttons to set the strobe frequency. The adjustment range is between **F500** ^{Up/Down} **F599**, from OFF to high frequency.

3. Static Colors

With this menu you can manually set a desired color.

- 01) Press the **MODE** button until the display shows **Colr**.
- 02) Press the **SETUP** button to open the menu.
- 03) Repeatedly press the **SETUP** button to navigate through the 4 available colors and strobe:

| | |
|--|------------------------------------|
| r000 ^{Up/Down} r255 | Red |
| g000 ^{Up/Down} g255 | Green |
| b000 ^{Up/Down} b255 | Blue |
| w000 ^{Up/Down} w255 | White |
| F500 ^{Up/Down} F599 | Strobe, from OFF to high frequency |

- 04) Press the **UP/DOWN** buttons to set the LED brightness and the strobe frequency.
- 05) The adjustment range of the LED brightness is between 0–255, from low to high intensity.
- 06) The adjustment range of the strobe frequency is between 0–99, from OFF to high frequency.
- 07) You can combine Red, Green, Blue and White to create an infinite range of colors (0–255).

4. Sound-controlled Mode

With this menu, you can set the device's sound sensitivity.

- 01) Press the **MODE** button until the display shows **Sound**.
- 02) Press the **SETUP** button to open the menu.
- 03) Press the **UP/DOWN** buttons to set the desired sound sensitivity. The adjustment range is between **5000** ^{Up/Down} **5031**, from low to high sound sensitivity.
- 04) The device will now react to the beat of the background music.

5. DMX-512 Mode

With this menu, you can set the DMX address and select the desired channel mode.

- 01) Press the **MODE** button until the display shows **d--**.
- 02) Press the **SETUP** button to open the menu.
- 03) Press the **UP/DOWN** buttons to choose the desired DMX address. The adjustment range is between **001** ^{Up/Down} **2512**.
- 04) Press the **SETUP** button to open the submenu.
- 05) Press the **UP/DOWN** buttons to choose one of the 3 channel modes:

4-CH 4-channel mode

6-CH 6-channel mode

8-CH 8-channel mode

- 06) Press the **SETUP** button to confirm.

6. Master/Slave Mode

With this menu, you can set the device as a slave.

- 01) Press the **MODE** button until the display shows **SLAVE**.
- 02) The device will now react the same as the master device.

7. Settings

With this menu you can adjust the device's settings.

- 01) Press the **MODE** button until the display shows **Set**.
- 02) Press the **SETUP** button to open the menu.
- 03) Press the **UP/DOWN** buttons to choose one of the 4 submenus:

Curve Dimming curves

rSt Reset

FAIL DMX fail

Sync DMX synchronization

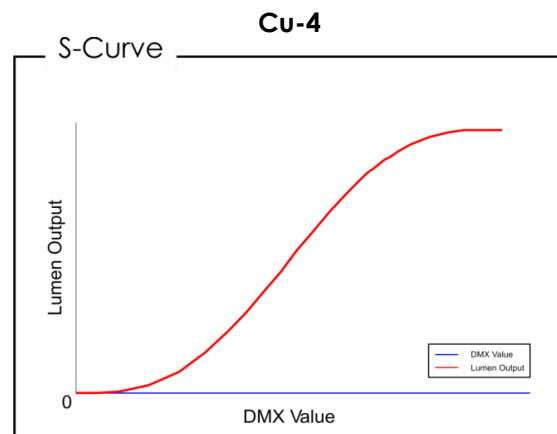
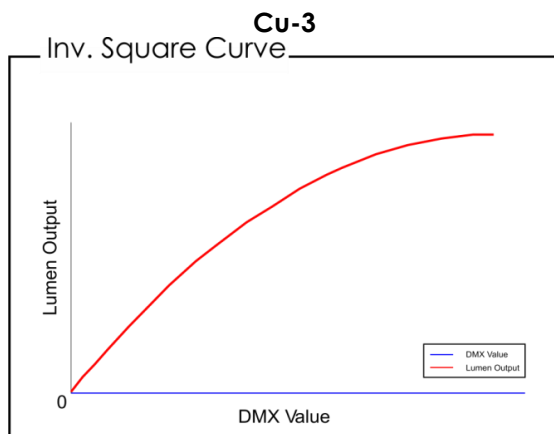
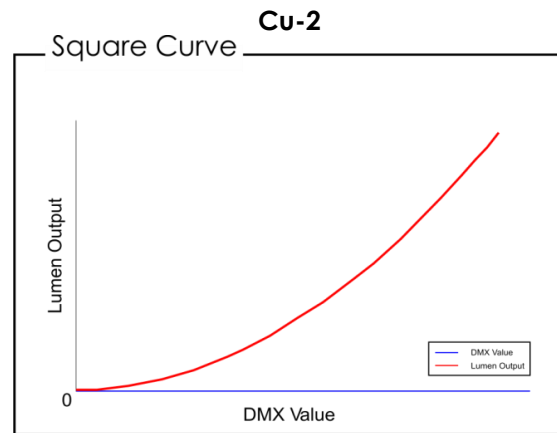
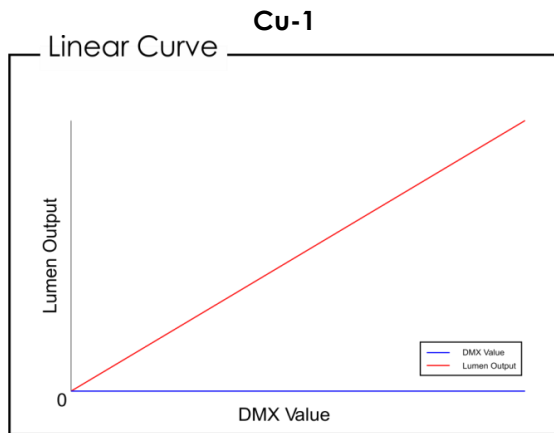
- 04) Press the **SETUP** button to open the desired menu.

7.1. Dimming Curves

With this menu you can set the dimming curves.

01) Press the **UP/DOWN** buttons to choose the desired dimming curve. The adjustment range is between

Cu-1 ^{Up/Down} **Cu-4**.



7.2. Reset

With this option you can restore the factory default settings.

01) Press the **UP/DOWN** buttons to choose between **-YES** and **-NO**.

02) Press the **SETUP** button to confirm.

03) If you have chosen **-YES**, the factory default settings will be restored.

7.3. DMX Fail

With this option you can adjust the behaviour of the device in case of a DMX signal error.

01) Press the **UP/DOWN** buttons to choose between **Hold** and **OFF**.

02) If you have chosen **OFF**, the device will black its output out, when a DMX signal error occurs.

03) If you have chosen **Hold**, the device will fall back on the last properly working DMX signal from before the DMX signal error, which ensures uninterrupted performance.

7.4. DMX Synchronization

With this option you can set the DMX synchronization of the device. This tool helps to keep multiple fixtures synchronized, when using them in Master/Slave mode.

01) Press the **UP/DOWN** buttons to choose between **-YES** and **-NO**.

8. Info

With this menu you can view the device's temperature and the software version.

- 01) Press the **MODE** button until the display shows **Info**.
- 02) Press the **SETUP** button to open the menu.
- 03) Press the **UP/DOWN** buttons to choose one of the 2 submenus:

VER Software version

TEMP Temperature

- 04) Press the **SETUP** button to open the desired menu.

8.1. Software Version

With this option you can see the currently installed software version.

- 01) Press the **UP/DOWN** buttons until the display shows **VER**.
- 02) Press the **SETUP** button to see the currently installed software version (**02**).

8.2. Temperature

With this option you can view the device's temperature status.

- 01) Press the **UP/DOWN** buttons until the display shows **TEMP**.
- 02) Press the **SETUP** button to see the temperature status.
- 03) If the display shows **LOE**, the temperature is normal.
- 04) **In any other case, immediately switch the device off.**

DMX Channels

4 channels

Channel 1 – Red Dimmer intensity

0-255 Gradual adjustment Red, from dark to brightest

Channel 2 – Green Dimmer intensity

0-255 Gradual adjustment Green, from dark to brightest

Channel 3 – Blue Dimmer intensity

0-255 Gradual adjustment Blue, from dark to brightest

Channel 4 – White Dimmer intensity

0-255 Gradual adjustment White, from dark to brightest

6 channels

Channel 1 – Dimmer intensity

0-255 Gradual adjustment, from dark to brightest

Channel 2 – Red Dimmer intensity CH1 must be open

0-255 Gradual adjustment Red, from dark to brightest

Channel 3 – Green Dimmer intensity CH1 must be open

0-255 Gradual adjustment Green, from dark to brightest

Channel 4 – Blue Dimmer intensity ⚠️ **CH1 must be open** ⚠️
 0-255 Gradual adjustment Blue, from dark to brightest

Channel 5 – White Dimmer intensity ⚠️ **CH1 must be open** ⚠️
 0-255 Gradual adjustment White, from dark to brightest

Channel 6 – Strobe ⚠️ **CH1 and CH2-5 must be open** ⚠️
 0 Closed
 1-255 Strobe flash frequency, from low to high frequency (0-20 Hz)

8 channels

Channel 1 – Dimmer intensity
 0-255 Gradual adjustment, from dark to brightest

Channel 2 – Red Dimmer intensity ⚠️ **CH1 must be open; CH6 must be closed** ⚠️
 0-255 Gradual adjustment Red, from dark to brightest

Channel 3 – Green Dimmer intensity ⚠️ **CH1 must be open; CH6 must be closed** ⚠️
 0-255 Gradual adjustment Green, from dark to brightest

Channel 4 – Blue Dimmer intensity ⚠️ **CH1 must be open; CH6 must be closed** ⚠️
 0-255 Gradual adjustment Blue, from dark to brightest

Channel 5 – White Dimmer intensity ⚠️ **CH1 must be open; CH6 must be closed** ⚠️
 0-255 Gradual adjustment White, from dark to brightest

Channel 6 – Built-in programs ⚠️ **CH1 must be open** ⚠️

| | |
|---------|-----------------------|
| 0 | Not functional |
| 1-24 | Program 1 |
| 25-49 | Program 2 |
| 50-74 | Program 3 |
| 75-99 | Program 4 |
| 100-124 | Program 5 |
| 125-149 | Program 6 |
| 150-174 | Program 7 |
| 175-199 | Program 8 |
| 200-224 | Program 9 |
| 225-249 | Program 10 |
| 250-255 | Sound-controlled mode |

Channel 7 – Color presets ⚠️ **CH1 must be open; CH6 must be set between 1-24** ⚠️

| | |
|---------|-----------------------------------|
| 0-14 | Color 1 (R000, G000, B000, W000) |
| 15-29 | Color 2 (R255, G000, B000, W000) |
| 30-44 | Color 3 (R000, G255, B000, W000) |
| 45-59 | Color 4 (R000, G000, B255, W000) |
| 60-74 | Color 5 (R000, G000, B000, W255) |
| 75-89 | Color 6 (R255, G120, B000, W000) |
| 90-104 | Color 7 (R255, G180, B000, W000) |
| 105-119 | Color 8 (R255, G255, B000, W000) |
| 120-134 | Color 9 (R255, G000, B255, W000) |
| 135-149 | Color 10 (R255, G000, B120, W000) |

| | |
|---------|-----------------------------------|
| 150-164 | Color 11 (R000, G255, B255, W000) |
| 165-179 | Color 12 (R255, G255, B000, W080) |
| 180-194 | Color 13 (R255, G000, B000, W200) |
| 195-209 | Color 14 (R000, G255, B000, W200) |
| 210-224 | Color 15 (R000, G000, B255, W200) |
| 225-239 | Color 16 (R255, G180, B020, W080) |
| 240-255 | Color 17 (R255, G255, B255, W255) |

Channel 7 – Program speed CH6 must be set between 25-249

0-255 Gradual speed adjustment, from slow to fast

Channel 7 – Sound sensitivity CH6 must be set between 250-255

0-255 Gradual sound sensitivity adjustment, from OFF to high sensitivity

Channel 8 – Strobe CH1 must be open; CH2-5 or CH6 must be open

0 Closed

1-255 Strobe flash frequency, from low to high frequency (0-20 Hz)

Maintenance

The operator has to make sure that safety-related and machine-technical installations are to be inspected by an expert after every year in the course of an acceptance test.

The operator has to make sure that safety-related and machine-technical installations are to be inspected by a skilled person once a year.

The following points have to be considered during the inspection:

- 01) All screws used for installing the device or parts of the device have to be tightly connected and must not be corroded.
- 02) There may not be any deformations on housings, fixations and installation spots.
- 03) Mechanically moving parts like axles, eyes and others may not show any traces of wearing.
- 04) The electric power supply cables must not show any damages or material fatigue.

The LED Pinspot Q4 requires almost no maintenance. However, you should keep the unit clean.

Otherwise, the fixture's light output will be significantly reduced. Disconnect the mains power supply, and then wipe the cover with a damp cloth. Do not immerse in liquid. Wipe lens clean with glass cleaner and a soft cloth. Do not use alcohol or solvents.

The front lens will require weekly cleaning, as smoke-fluid tends to build up residues, reducing the light-output very quickly.

Troubleshooting

No Light

If the light effect does not operate properly, refer servicing to a technician.

Suspect three potential problem areas as: the power supply, the LEDs, the internal fuse.

- 01) Power supply. Check if the unit is plugged into an appropriate power supply.
- 02) The LEDs. Return the LED Pinspot to your Showtec dealer.
- 03) The internal fuse. Return the LED Pinspot to your Showtec dealer.
- 04) If all appears to be O.K., plug the unit in again.
- 05) If you are unable to determine the cause of the problem, do not open the LED Pinspot, as this may damage the unit and the warranty will become void.
- 06) Return the device to your Showtec dealer.

No Response to DMX

- 01) Check the DMX setting. Make sure that DMX addresses are correct.
- 02) Check the DMX cable: Unplug the unit; change the DMX cable; then reconnect to electrical power. Try your DMX control again.
- 03) Determine whether the controller or light effect is at fault. Does the controller operate properly with other DMX products? If not, take the controller in for repair. If so, take the DMX cable and the light effect to a qualified technician.

| Problem | Probable cause(s) | Remedy |
|--|---|--|
| One or more fixtures do not function at all | No power to the fixture | <ul style="list-style-type: none"> Check if power is switched on and cables are plugged in |
| | Internal fuse blown | <ul style="list-style-type: none"> Return the device to your Showtec dealer |
| Fixtures reset correctly, but all respond erratically or not at all to the controller | The controller is not connected | <ul style="list-style-type: none"> Connect controller |
| | 3-pin XLR Out of the controller does not match XLR Out of the first fixture on the link (i.e. signal is reversed) | <ul style="list-style-type: none"> Install a phase reversing cable between the controller and the first fixture on the link |
| Fixtures reset correctly, but some respond erratically or not at all to the controller | Poor data quality | <ul style="list-style-type: none"> Check data quality. If much lower than 100 percent, the problem may be a bad data link connection, poor quality or broken cables, missing termination plug, or a defective fixture disturbing the link |
| | Bad data link connection | <ul style="list-style-type: none"> Inspect connections and cables. Correct poor connections. Repair or replace damaged cables |
| | Data link not terminated with 120 Ohm termination plug | <ul style="list-style-type: none"> Insert termination plug in output jack of the last fixture on the link |
| | Incorrect addressing of the fixtures | <ul style="list-style-type: none"> Check address setting |
| | One of the fixtures is defective and disturbs data transmission on the link | <ul style="list-style-type: none"> Bypass one fixture at a time until normal operation is regained: unplug both connectors and connect them directly together Have the defective fixture serviced by a qualified technician |
| | 3-pin XLR Out on the fixtures does not match (pins 2 and 3 reversed) | <ul style="list-style-type: none"> Install a phase-reversing cable between the fixtures or swap pin 2 and 3 in the fixture, that behaves erratically |
| No light or LEDs cuts out intermittently | Fixture is too hot | <ul style="list-style-type: none"> Allow the fixture to cool down Make sure air vents are not blocked Turn up the air conditioning |
| | LEDs damaged | <ul style="list-style-type: none"> Disconnect fixture and return to your dealer |
| | The power supply settings do not match local AC voltage and frequency | <ul style="list-style-type: none"> Disconnect fixture. Check settings and correct if necessary |

Product Specifications

| | |
|---|---|
| Model: | Showtec LED Pinspot Q4 |
| Input voltage: | 100-240 V AC, 50/60 Hz |
| Power consumption: | 22 W |
| DMX linking: | 30 pcs |
| Dimensions: | 320 x 166 x 222 mm (LxWxH) |
| Weight: | 1,2 kg |
| Operating and Programming: | |
| Signal pin OUT: | Pin 1 (earth), pin 2 (-), pin 3 (+) |
| DMX mode: | 4, 6, 8 channels |
| Signal input: | 3-pin XLR IN |
| Signal output: | 3-pin XLR OUT |
| Electro-mechanical effects: | |
| Light source: | 1 x 15W 4-in-1 RGBW Prolight Opto LED |
| Drive current: | 1000 mA |
| Lumens: | 44 |
| Lux @ 2 m: | 7010 |
| Beam angle: | 3,2° (+/-1°) |
| Max. distance: | 10 m |
| Dimmer: | 0-100 % |
| Strobe: | 0-20 Hz |
| Housing: | ABS plastic |
| Color: | Black |
| Control protocol: | DMX-512 |
| DMX control: | via standard DMX controller |
| Onboard: | 4-digit LED display for easy setup |
| Control modes: | Auto, Built-in programs, Static Colors, Sound-controlled, Master/Slave, DMX |
| Connections: | Schuko power cable, 3-pin XLR DMX IN/OUT |
| IP rating: | IP20 |
| Cooling: | Convection |
| Max. ambient temperature t_a : | From -20 °C to +40 °C |
| Max. housing temperature t_B : | 70 °C |
| Minimum distance: | |
| Minimum distance from flammable surfaces: | 0,5 m |
| Minimum distance to lighted object: | 0,8 m |

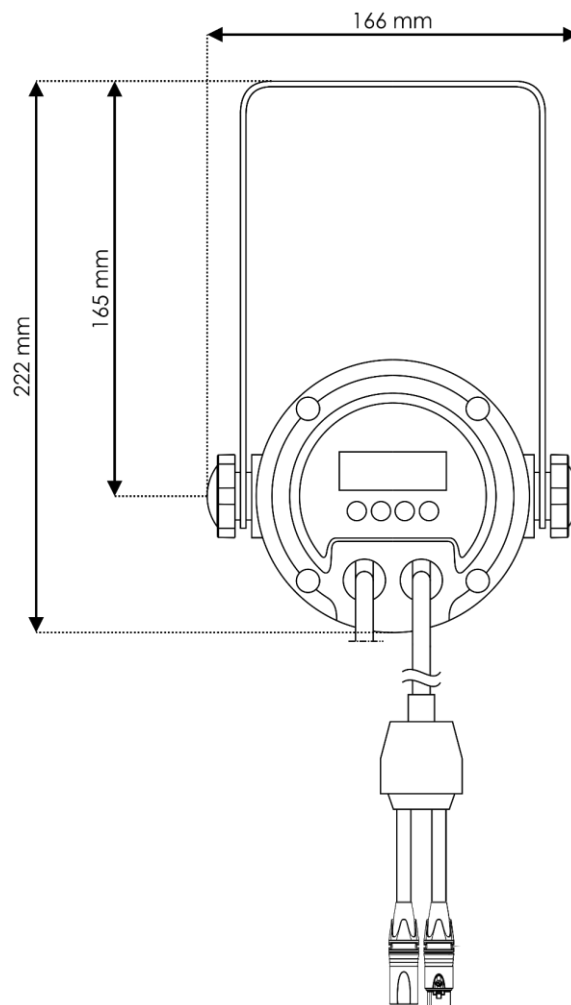
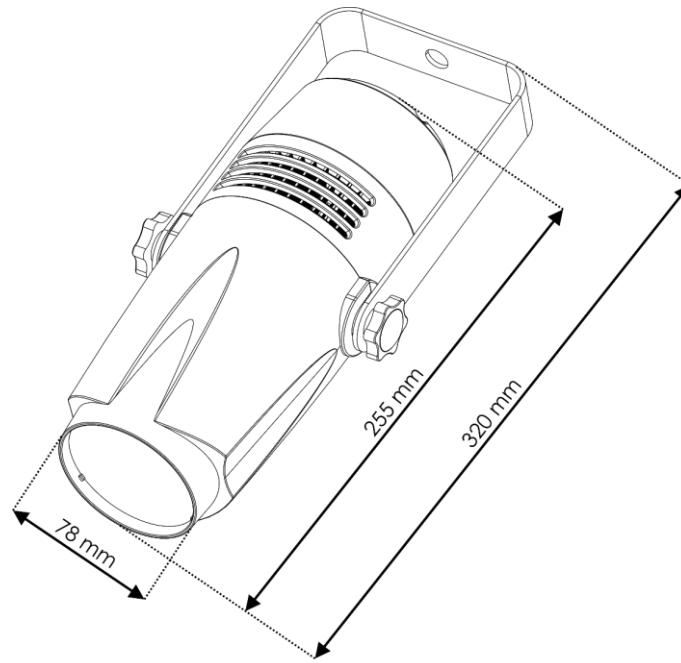
Design and product specifications are subject to change without prior notice.



Website: www.Showtec.info

Email: service@highlite.com

Dimensions





©2019 Showtec