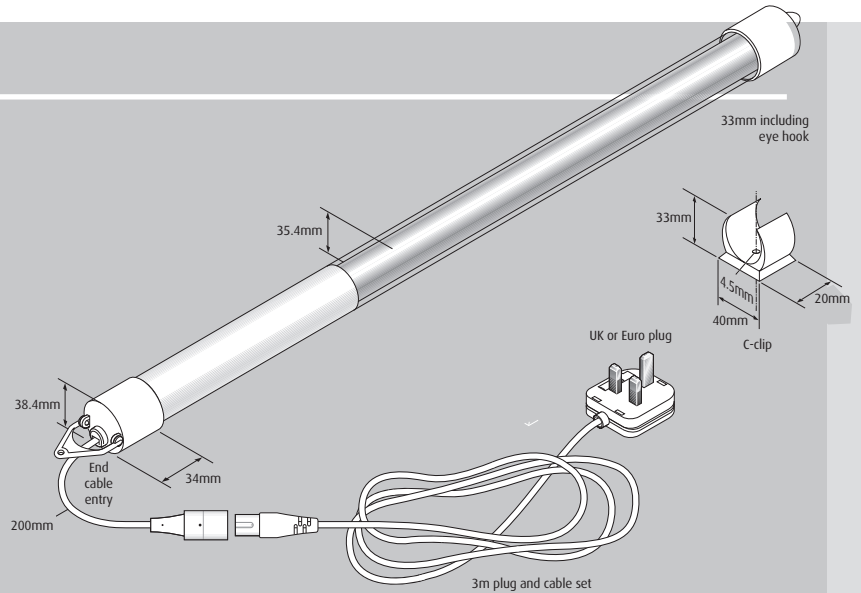
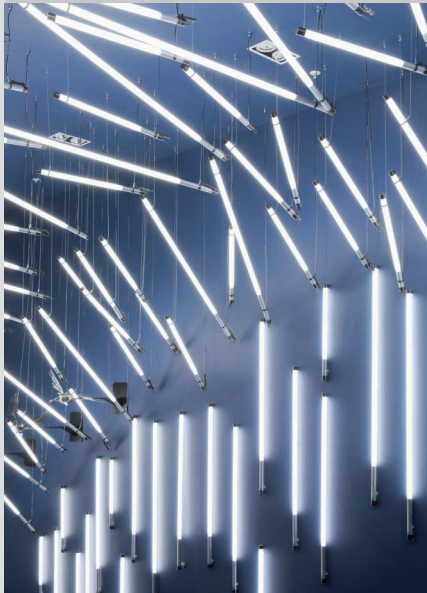


T8 HFI Stick-Lite Display Lighting



Specification

- **Outer case** Polycarbonate
- **Lamp holder** T8 G13
- **Includes** Col 840 lamp
Mounting clips
- **Light output ratio (LOR)** 100
- **Options** DDP coloured sleeves
Suspension kit
Black end caps and cable
Fixed cable length of choice



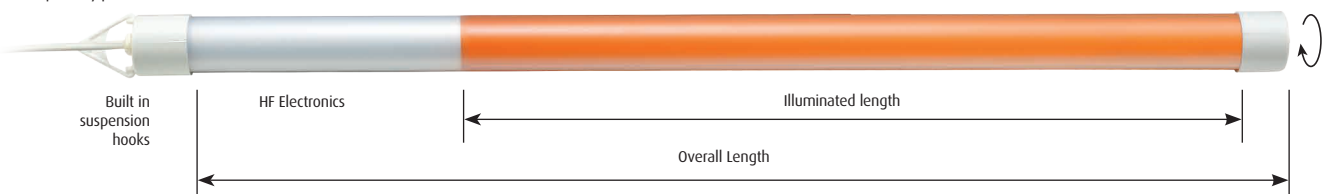
Satine cover

PART NR	WATTAGE w	LENGTH mm	LOR	ILLUMINATED LENGTH mm	CIRCUIT POWER W
HFI T8 18w	18	765	100	565	18
HFI T8 30w	30	1200	100	870	35
HFI T8 36w	36	1500	100	1170	35
HFI T8 58w	58	1800	100	1575	54
HFI T8 70w	70	2060	100	1735	64.5

End cap diameter 38.4mm.

Quick release plug with 3.2m cable set. Do not suspend by power cable

Twist and pull this end cap only, to re-lamp

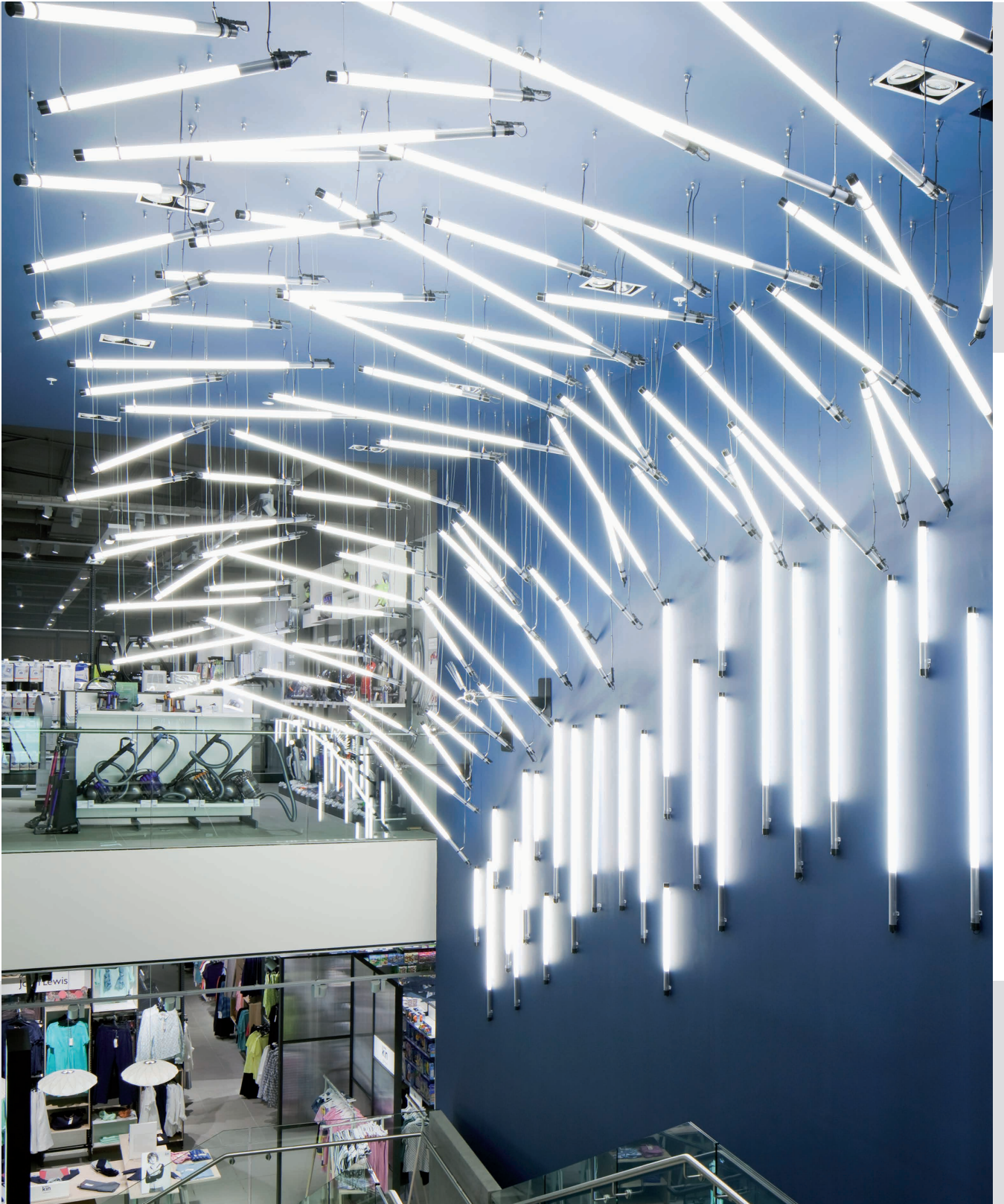


**Need something changed to suit your project?
If we can, we will. Please ask!**

FLUORESCENT LIGHTING

T8 HFI Stick-Lite Display Lighting

encapsulite
ILLUMINATING BY DESIGN



For further information or options, call to us on **01525 376974**,
email **reply@encapsulite.co.uk** or visit **www.encapsulite.co.uk**