

Instructions

Important Safety Instructions

When using your projection equipment basic safety precautions should be followed:

1. Read and understand all instructions before using the equipment.
2. Close supervision is necessary when any appliance is used by, or near, children.
3. Care must be taken, as burns can occur from touching hot parts.
4. Do not operate appliance with a damaged cord, or if the appliance has been dropped, or damaged, until it has been examined by a qualified engineer.
5. Position the cord so that it will not be tripped over, pulled, or come into contact with hot surfaces.
6. If an extension cord is necessary, a cord with a current rating at least equal to that of the appliance should be used. Cords rated for less amperage than the appliance may overheat.
7. Always unplug appliance from electrical outlet before cleaning and servicing and when not in use. Never yank cord to pull plug from outlet. Grasp plug and pull to disconnect.
8. Let appliance cool completely before packing. Loop cord loosely around appliance when storing.
9. To reduce risk of electric shock, do not immerse product in water or other liquids.
10. To reduce the risk of electric shock, do not dismantle this appliance.
11. Do not attempt to service the projector unless you are qualified and working under the direction of the manufacturer
12. The use of an accessory attachment not recommended by the manufacturer may cause a risk of fire, electric shock, or personal injury.
13. A safety chain or cable must be fitted to the projector and secured to an immovable object where applicable. The securing point must be able to withstand the shock weight of the projector should it fall.
14. After any maintenance or cleaning all parts must be absolutely dry before refitting to the projector.
15. During focussing of the projected image beware of moving the projection lens too far, as this may cause the lens to become separated from the projector, and perhaps to dropped and broken which may cause injury.
16. Flammable surfaces should be 0.5m away from the front of the projector



[OPTI]TM GoboPro+ LED

Power Supply

A 28V mains supply suitable for supply 100-240V AC is supplied with an appropriate IEC power cable. The power supply is not suitable for use in wet conditions and should be installed in a dry location or waterproof box. The low voltage power cable can be extended by means of 4-pin XLR extension leads. Power cores should be capable of carrying at least 6A.

Mounting

All [OPTI] GoboPro and GoboPro+ are supplied with one u-shaped bracket that can be mounted to any immovable surface. The mounting bracket hole is 11mm. The angle of the u-shaped bracket can be adjusted using the pivot handles on the side of the projector. It is recommended that the power cable is installed at the top of the projector in wet conditions to reduce the risk of water ingress into the body of the projector. If the projector is to be mounted vertically downwards, it is recommended a small disk is installed above the projector to prevent water pooling in the back of the unit.

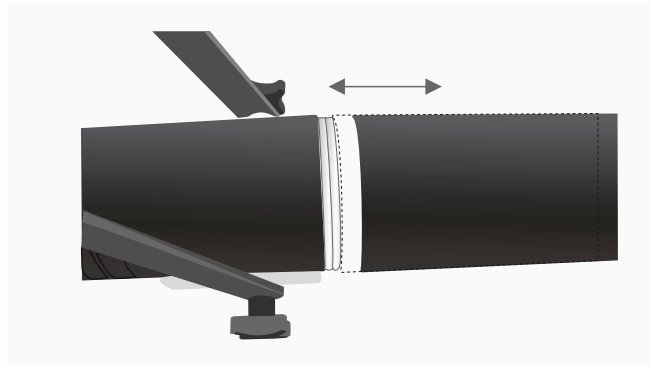
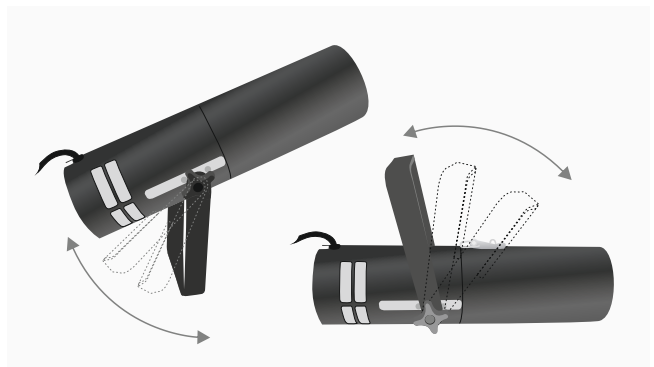
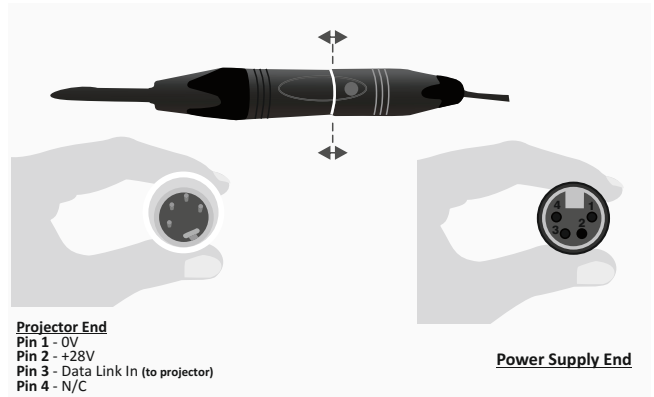
Waterproof Hood

All [OPTI] GoboPro and GoboPro+ are supplied with one 200mm long IP-rated 65 hood (suitable for 20mm-120mm lenses). To remove the hood, gently wiggle the hood and pull the hood off. To reattach the hood, gently wiggle and push the hood onto the projector. Please note that there will be a different size hoods available to accommodate 150mm lenses and bigger. There is a 1mm hole at the front of the hood to drain condensation. This hole should be aligned at the bottom of the projector. To secure the hood to the projector, affix the two supplied M4 x 12mm CSK stainless steel screws through the holes in the mounting bracket.

Lens Fitting & Focusing

If you would like to add/change the lens, loosen the screw on the bottom of the lens housing and remove the lens (if one is currently inserted). Insert the new lens to a balanced position and tighten the screw on the bottom of the lens housing.

To project a focused image, it is necessary to finely adjust the focusing lens after the unit has been pointed at the desired projection surface. To adjust the focusing lens, loosen the screw on the side of the lens housing and slide the housing along the rails until the image is focussed. Secure the lens housing to the rails by tightening the screw on the side.



Distance Calculation Formula

$$\frac{\text{Lens Focal}}{\text{Object Size}} \times \frac{\text{Projection Distance}}{\text{Image Size}}$$

Please note all [OPTI] GoboPro and GoboPro+ can be used with 52.5mm barrel lenses so there may be other lenses available.

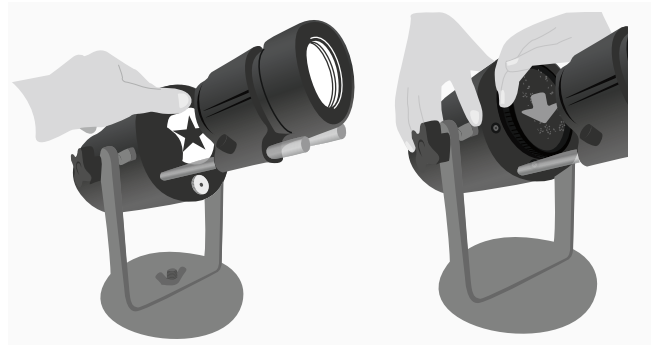
Gobos & Cassettes

All [OPTI] GoboPro and GoboPro+ projectors accommodate an outside diameter of 50mm (+0 -0.1mm) rotatable gobo, and a 44mm OD (+0 -0.1mm) static gobo which can be purchased from [OPTI] Kinetics directly. A 50mm cassette holder is supplied with every GoboPro and GoboPro+ projector which all gobos need to be inserted into to be projected.

Attaching the complete cassette to the projector

Engage the cassette onto the drive gear at the bottom and gently snap the cassette onto the projector.

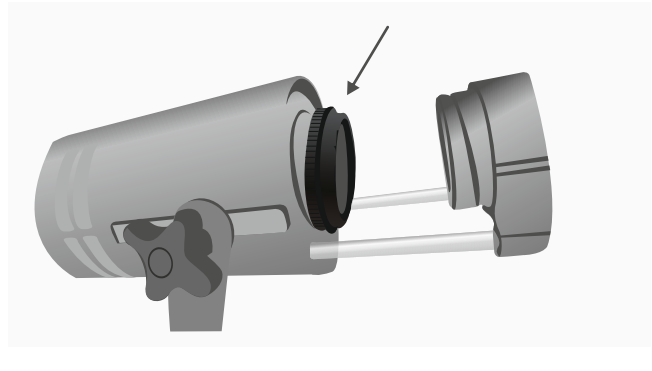
Lens Focal Length	Projection Distance to Image Size (Ratio)	Lens Degrees
45mm	1:1	50°
60mm	3:2	39°
85mm	2:1	26°
120mm	3:1	18°
150mm	4:1	15°



Removing the complete cassette from the projector

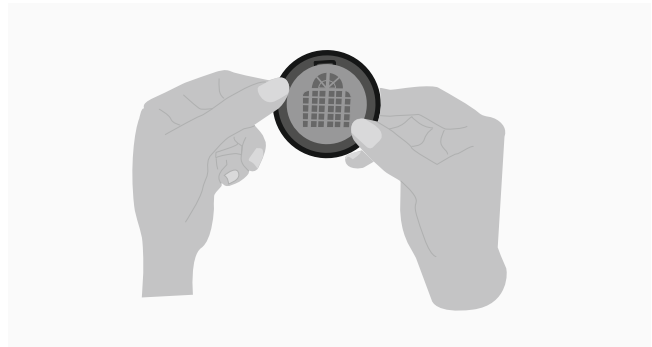
Insert a fingernail or flat blade screwdriver into the gap between the cassette holder and the top of the cassette and gently lever out the cassette.

Additional cassette holders are available.



Inserting a Gobo into the cassette holder

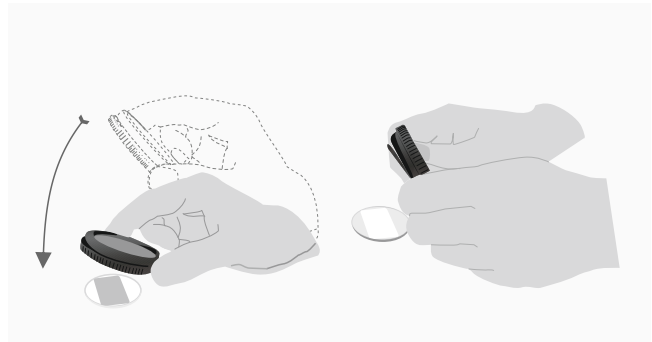
Line up the gobo with one of the tabs on the cassette holder and gently press the gobo using your thumbs level with the two other tabs. When the gobo is fully inserted, you will hear a click noise. If you are inserting a 44mm static gobo, turn the cassette holder over and gently push into the back of cassette rotator. It is recommended that the two image faces of the 44mm and 50mm gobo are placed next to each other within the cassette.



It is recommended to use a separate cassette holder for each gobo. It is recommended to warm the cassette holder before inserting your own gobo. For example leave the cassette holder on the radiator for a few minutes.

Removing the gobo from the cassette holder

If the gobo has just been recently used on the [OPTI] GoboPro/GoboPro+ projector, please wait until it is cool enough to touch before attempting to remove the gobo from the cassette holder. That said; it is easier to remove the gobo from the cassette holder if it is slightly warm. Leaving the gobo on the radiator for a few minutes can help. To remove the static 44mm gobo (if fitted) firmly tap the cassette holder (zoom gobo facing up) onto a hard surface. To remove the rotating 50mm gobo, gently press the gobo out with your thumbs from the rear.

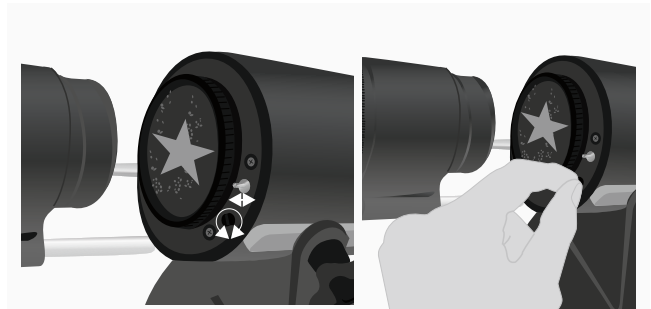


[OPTI]TM GoboPro+ LED

Controlling the Image

All [OPTI] GoboPro and GoboPro+ projectors have an internal variable speed rotator. 50mm gobos can be project static and/or rotating images.

To control the direction of the image use the silver switch. To rotate the image clockwise flick the silver switch upwards. To rotate the image anticlockwise flicks the silver switch downwards. For a static image, make sure the silver switch is centralised. To control the speed of the rotation use the tiny black knob. To increase the speed, twist the knob clockwise. To slow the speed of the rotation, twist the knob anti-clockwise.



Guarantee

[OPTI] Kinetics Limited guarantees this product for 1 year from the date of purchase from all mechanical, electrical or assembly defect. Within this 1-year period any fault will be repaired or remedied free of charge. To extend the warranty free of charge to 3 years, please register your [OPTI] GoboPro/GoboPro+ projector by visiting www.optikinetics.co.uk. The guarantee is void if the projector has been opened or if a repair has been attempted by anyone other than an [OPTI] Kinetics authorised repairer.

[OPTI]TM Guarantee



Technical Specification

NAME:	[OPTI] GoboPro+ LED Projector
Part Number:	FG2120
Gobo Projection:	Static and/or rotating image. Integral Rotator for Cassette
Lens Size:	Projector takes 52.5mm diameter object lenses. <i>Other lenses available*</i>
Lens options:	45, 60, 85, 120, 150, Zoom
Focus:	Manual
Light Source:	120W LED
Brightness Output:	8000 Lumens
Illuminance at 1m:	3800 Lux
Colour temperature (Kelvin):	7500 K
Colour of Projector:	Black
Gobo Size:	50mm o/d Rotating, 44mm o/d fixed. (42 image diameter). Or 35 mm transparency with adaptor (for occasional use). Fitted to [OPTI] cassette
Control:	Manual. Supports DMX control.
Remote control:	Dimming, control of all effect parameters.
Projection Rating:	IP 65 with front cover fitted. Suitable for outdoor use.
Power Supply:	Mains adapter 28V at 5A. (Adapters not to
Dimension of projector:	IP65). L34 H25 W14 OD10 CM
Weight:	3.5Kg

[OPTI] Kinetics

38 Cromwell Road Luton LU3 1DN England
+44 (0)1582 411413 | ukadmin@optikinetics.co.uk | www.optikinetics.co.uk

