

Panasonic®

1/2-type CCD
Color Surveillance Cameras
with Low-Light B/W Mode

WV-CL920A Series

Lens: optional



EQUIPPED WITH AN F1.4 LENS, THESE ULTRA-SENSITIVE CAMERAS FOR 24-HOUR SURVEILLANCE DELIVER CLEAR IMAGES IN LIGHT AS LOW AS 0.01 LX(0.001 FC)*

*In B/W mode

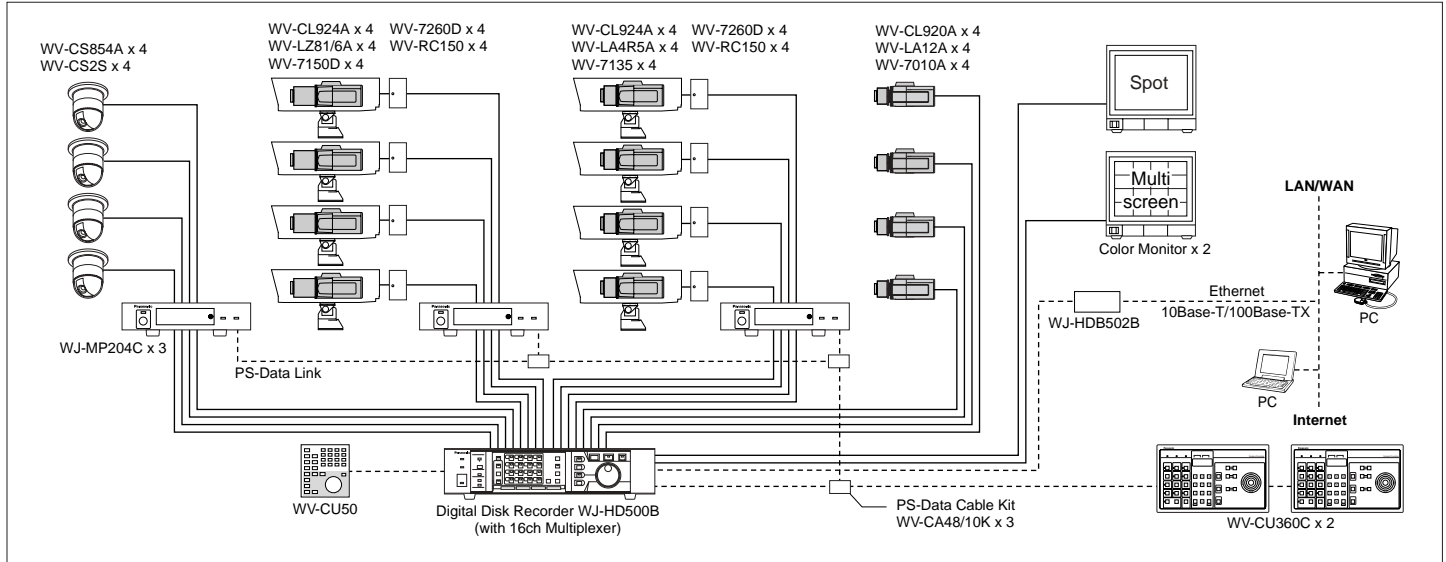
The new WV-CL920A Series combines a near-infrared CCD with a new digital signal processor (DSP). Switching automatically from color mode during the day to B/W mode at night, these cameras are ideal for 24-hour surveillance. When equipped with an F1.4 lens, they deliver clear images in light as low as 0.14 lx (0.014 fc) in color mode and as low as 0.01 lx (0.001 fc) in B/W mode. With electronic enhancement, sensitivity is up to 32 times greater than that of standard cameras. When combined with a near-infrared light source, these cameras can also be used for near-infrared (B/W) surveillance in settings with no visible light. Horizontal resolution is 480 lines in color mode, 570 lines in black and white. Many advanced features are included in the WV-CL920A including, a high-speed electronic shutter, character display, and an easy to connect alarm output terminal for use with remote sensors or other surveillance equipment.

The WV-CL920A Series is ideal for street, highway, parking lot, harbor, building exterior, and other applications that require ultra-sensitive 24-hour surveillance.

KEY FEATURES

- 1/2-type interline transfer CCD w/infrared sensitivity.
- Switches from selected color mode to B/W mode, automatically or manually.
- Super sensitivity of 0.14 lx (0.014 fc) at F1.4 in color mode, and 0.01 lx (0.001 fc) in B/W mode.
- 480-line horizontal resolution in color mode, and 570-line in B/W mode.
- ELC function enables the use of fixed iris lens for indoor applications.
- Built-in digital motion detector.
- Built-in Alarm output terminal for external sensors.
- Built-in 16 alphanumeric character display.
- Electronic shutter from 1/60 to 1/10,000 seconds.
- Electronic sensitivity enhancement (Auto/Manual/Off)
- VD2 sync capability with Panasonic system products.
- Gen-lock capability for the large system application.
- Accepts both AC 24V & DC 12V for WV-CL924A camera model.


SYSTEM EXAMPLE



SPECIFICATIONS

Model No.	WV-CL920A	WV-CL924A
Pick-up Device	768 (H) x 494 (V) Pixels, Interline Transfer CCD	
Scanning Area	6.45 (H) x 4.84 (V) mm (Equivalent to 1/2" Tube)	
Scanning	525 lines / 60 fields / 30 frames	
	Horizontal 15.734 kHz / Vertical 59.94 Hz	
Scanning System	2:1 Interlace	
Synchronization	Internal, Line-locked, External (VBS/VS), or Multiplexed VD2 Selectable	
Video Output	1.0V[p-p] NTSC Composite / 75 Ω / BNC Connector	
Horizontal Resolution	480-line at Color Imaging, or 570-line at B/W mode	
Minimum Illumination	0.14 lx (0.014 fc) at F1.4 (at Color mode), or 0.01 lx (0.001 fc) at F1.4 (at B/W)	
S/N Ratio	50dB at AGC off	
Video Output	VBS 1.0V[p-p] / 75 Ω / BNC Connector	
Character Display	16 Alphanumeric characters	
Motion Detector	On/Off selectable	
Electronic Light Control	Equivalent to continuous variable shutter speed between 1/60s to 1/10,000s	
Electronic Sensitivity Up	Off, Auto (x2, x4, x6, x10, x16, x32), Fixed (x2, x4, x6, x10, x16, x32, x64)	
White Balance	ATW1, ATW2, AWC selectable (setup menu)	
Aperture	Variable (setup menu)	
Gain Control	AGC On/Off selectable (setup menu)	
AGC	ON (DNR-H), ON (DNR-M), ON (DNR-L) or OFF selectable (setup menu)	
Backlight Compensation	Preset ON or OFF selectable (setup menu)	
Electronic Shutter Speed	1/60 (OFF), 1/100, 1/250, 1/500, 1/1,000, 1/2,000, 1/4,000, 1/10,000 s selectable	
Lens Mount	CS-mount	
ALC Lens	DC / Video Servo Selectable (setup menu)	
Ambient Operating Temperature	-10°C - +50°C (14°F - 122°F)	
Ambient Operating Humidity	Less than 90%	
Power Source	120V AC	AC24V / DC12V
Power Consumption	4.8W	4.9W / 460mA
Alarm Out	Collector-output OFF (Open or 4V DC - 5V DC) / ON (≤ 1V 50mA)	
Day/Night In	Pulled-up to 5V DC OFF (Open) / ON (0V 0.2mA)	
Dimensions (W x H x D)	74 x 65 x 120mm (2-15/16" x 2-9/16" x 4-3/4")	
Weight (approx.)	450g (0.99 lbs.) without cables	440g (0.97 lbs.)

Wide variety of optional 1/2-type lenses for suit the any applications

Auto Iris Lenses WV-LA4R5A WV-LA6A WV-LA12A WV-LA18 WV-LA36	Manual Iris Lens WV-LM4R5A	Zoom Lenses WV-LZ81/6A WV-LZ83/6	Variable Focal Lens WV-LZ80/2
	Fixed Iris Lenses WV-LF6 WV-LF12		Pinhole ALC Lens WV-LP6

• Weights and dimensions are approximate. • Specifications are subject to change without notice. • These products may be subject to export control regulations.

Panasonic

Panasonic Digital Communications & Security Company

Unit Company of Matsushita Electric Corporation of America

Security & Vision Systems Group

Security Systems

<http://www.panasonic.com/cctv>

Executive Office : One Panasonic Way 3E-7, Secaucus, New Jersey 07094

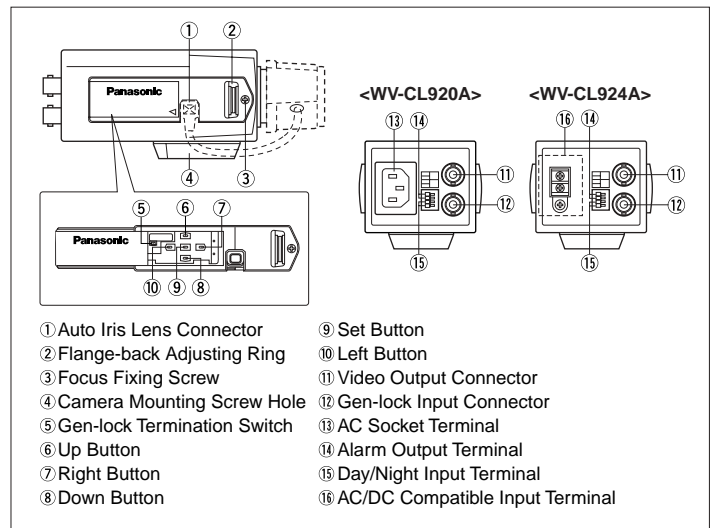
Zone Office

Eastern : One Panasonic Way, Secaucus, NJ 07094 (201) 348-7303

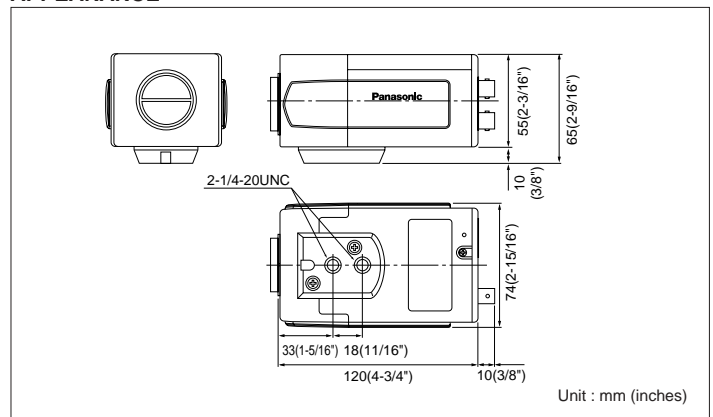
Central : 1707 N.Randal Road, Elgin, IL 60123 (847) 468-5205

Western : 6550 Katella Ave., Cypress, CA 90630 (714) 373-7840

MAJOR OPERATING CONTROLS



APPEARANCE



Unit : mm (inches)

DISTRIBUTED BY:

PANASONIC CANADA INC.

5770 Ambler Drive, Mississauga, Ontario, L4W 2T3 Canada (905) 624-5010

PANASONIC SALES COMPANY

DIVISION OF MATSUSHITA ELECTRIC OF PUERTO RICO, INC.

San Gabriel Industrial Park 65th Infantry Ave. KM. 9.5 Carolina, P.R. 00985 (809) 750-4300

Printed in Japan

WV-JHCL920AT(2P-482D)